

MERVION AIR SCRUBBER

vim

venue infection mitigation

VIM Services is proud to introduce a path to cleaner, healthier interior spaces with MERVION Air Scrubber. Compact and tough, this enclosed sanitizing and ionizing unit can filter harmful particles from up to 120,000cf in under 1 hour. With adjustable power and airflow settings, the MERVION Air Scrubber is a great tool for any size space.



Professional Performance in Rooms of All Sizes

The Mervion Air Scrubber filters the air at the industry-recommended rate of 3x an hour to effectively lower harmful particle levels and maintain a comfortable environment in extra-large, open-concept areas and workspaces. At peak performance the Mervion 2500 can filter and exchange the total volume of air in a 120,000 ft² space in 1 hour. Mervion moves an impressive volume of air at 2500 cubic feet per minute on the highest speed setting. When running at 50% the Mervion 2500 can be quietly cleaning the air of a standard 40 x 40' conference room every 6 minutes.

Flexibility to Fit Your Needs

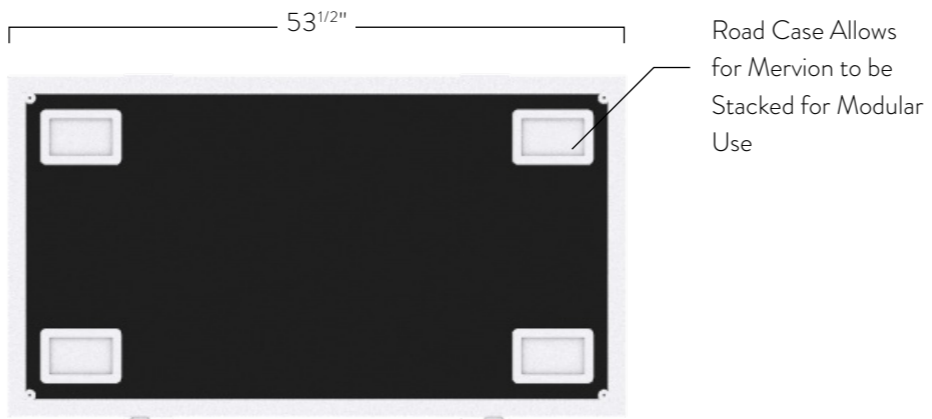
The Mervion Air Scrubber comes standard with two specific operation configurations. Mode 1 is a standalone mode which uses standard 240 VAC input power and is equipped with a fully adjustable fan speed control. Mode 1 is used in situations where no other existing HVAC system is available or installed. Mode 2 is designed to work in combination with an existing HVAC system for quieter and more efficient cleaning experience. The Mervion Air Scrubber system can be quickly installed at the intake of the HVAC system using 20" flexible ducting. This ensures an easy way to quickly convert a traditional HVAC system into an industrial air filtering and ionization system while still cooling and heating a space, with no additional parts or expensive installation.

Clean Air Information

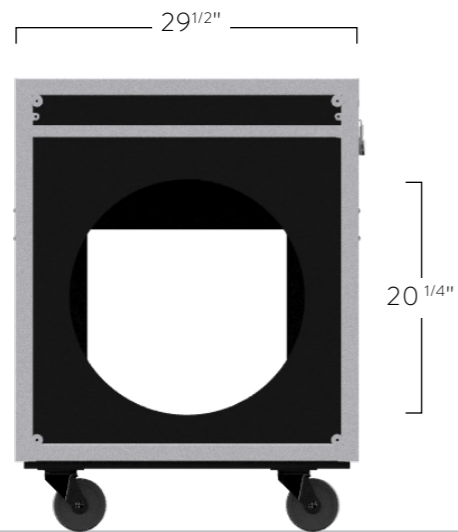
The Mervion Air Scrubber is designed to be flexible for both an office setting with employees and a large event space with the general public. In an average office setting of 40' x 40' the air can be fully exchanged in the room every 6 minutes. For an event application, we recommend 1 unit per every 10,000 ft² which will clean and sanitize the air fully every 30 minutes.

Designed to Fit Your Needs Both Big and Small

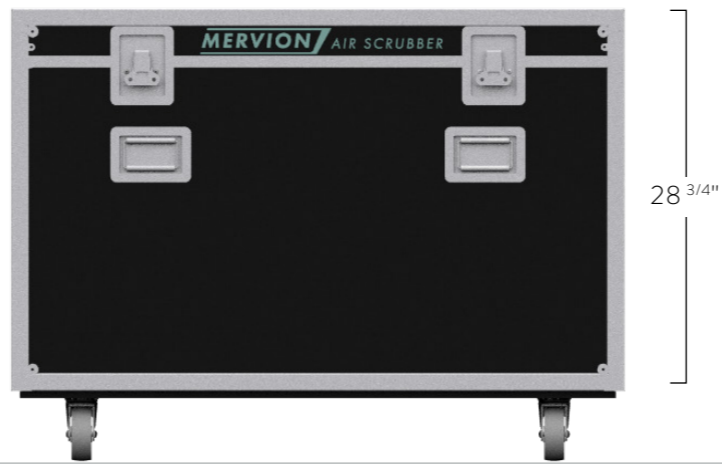
The portable rolling design along with rugged Heavy Duty construction allows users to easily deploy the Mervion in a variety of spaces. Electrical cable extensions and additional ducting are also available.



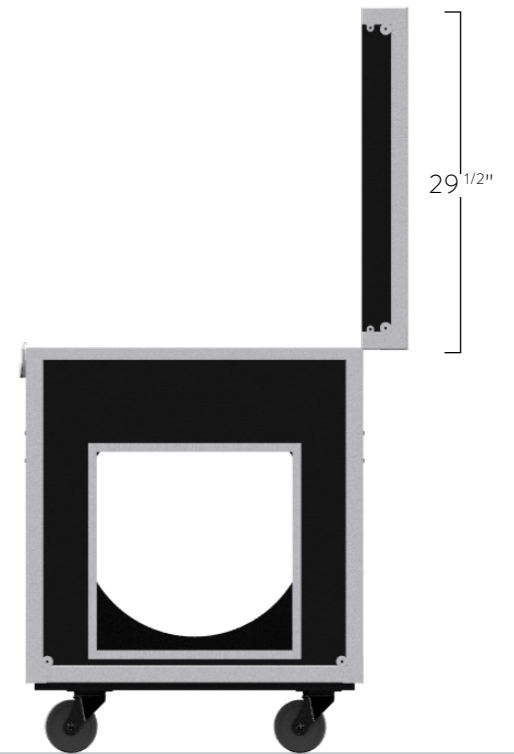
TOP VIEW



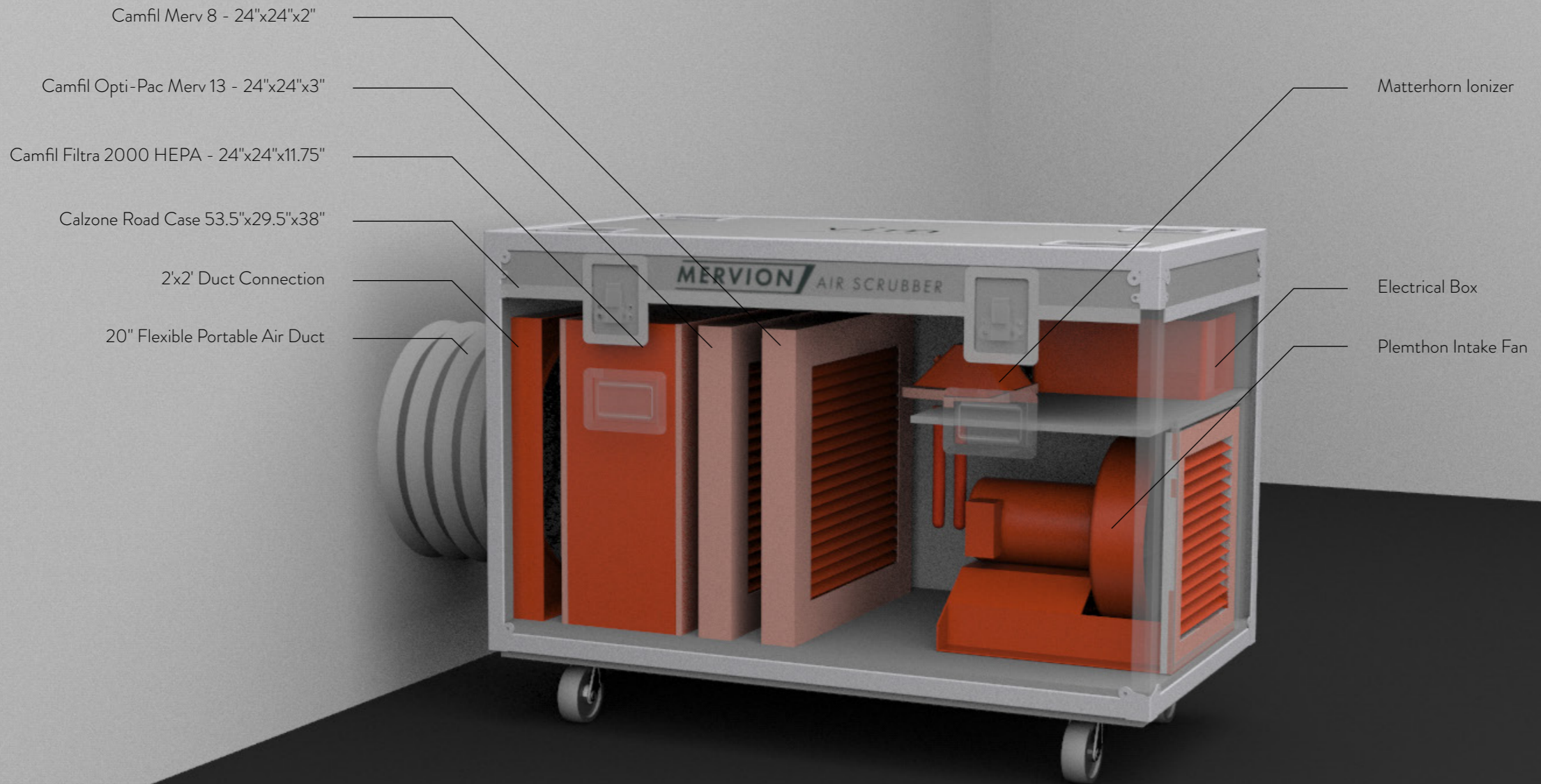
LEFT VIEW



FRONT VIEW



RIGHT VIEW



Why Mervion?

Our unique pairing of electrostatic and mechanical filtration sets us apart. This combination allows us to use filters that are less dense and require less air pressure than traditional HEPA filters without a loss in performance— resulting in quieter and more energy efficient operation. The Mervion uses a 3 stage filter design and comes standard with premium HEPA and Opti-Pac Merv 13, and 30/30 Merv 8 filter.

Specifications

Input power-	240 VAC 1 P / 208 VAC 3 P
Maximum CFM -	2500
Maximum Fan RPM-	3400
Db volume @ 3000 RPM-	78
Control-	3 hp 250 VAC VFD with remote function
Filter Stage -	3
Stage 1 -	24 x 24 x 2 Camfil 30/30 Merv 8
Stage 2 -	24 x 24 x 3 Camfil Opti-Pac Merv 13
Stage 3-	24 x 24 x 11.75" Camfil filtra 2000 HEPA
Air Intake Dimension-	12" dia
Air Outlet Dimension-	20" dia
Sterilization-	Electrical Ionization
Dimensions-	53.5" wide x 29.5" deep x 38" tall
Weight-	450 lbs

Pricing

Mervion Unit MSRP -	\$14,500.00
Rental Price /Day -	\$617.00
Rental Price/Week -	\$2,885.00
110 VAC Step Down Package - Option to be used with a standard wall outlet.	\$400.00

For More Information,
Please Contact:

website: vim-services.com

email: info@vim-services.com

tel: 201-330-7884

VIM PROFESSIONAL GROUP

vim

POWERED BY:

